



- 3000 Addressable Devices
- 10 Year Battery Life
- Attractive Compact Design
- Compatible with the Complete Range of EDA Products
- Internal Event Memory
- Electronically Programmable
- Reliable Single Board Surface Mount Construction



## DESCRIPTION

The radio break glass unit or radio call point is a fundamental item for any radio fire alarm system. The new design has taken advantage of the advances in technology seen in the very popular Millennium range of EDA sensors. The self contained unit incorporates the new world series KAC call point and houses the transmitter, antenna and batteries powering the unit for approximately ten years and is only 40 mm deep.

From a company which has over 25 years experience of designing and manufacturing fire alarm systems, the call point contains a powerful processor and utilises modern fabrication techniques to achieve the ultimate in performance and reliability. On board memory includes an event log, non volatile configuration information and a unique serial number.

The radio callpoint can be supplied as a standard unit or as an IP55 version and is designed to comply with all appropriate sections of EN54.

## SPECIFICATION

Maximum Devices	3000
Power source	Dual lithium cells
Battery life	10 years
Temperature range	0°C to +60°C
Construction	
- Casing	Red KAC New World Series Red Slim-line Back Box
- Electronics	Single Circuit Board Construction

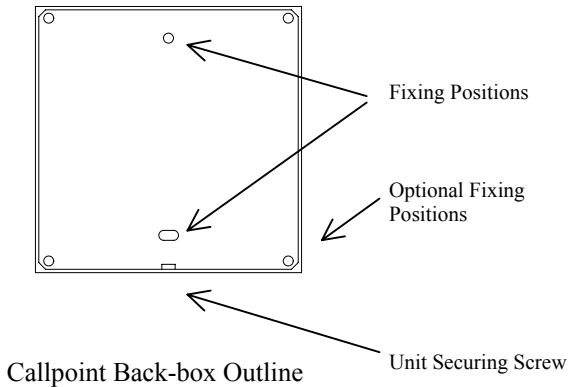
## ORDER CODES

EDA-C300	Radio Callpoint
EDA-C340	Radio IP55 Weatherproof Callpoint

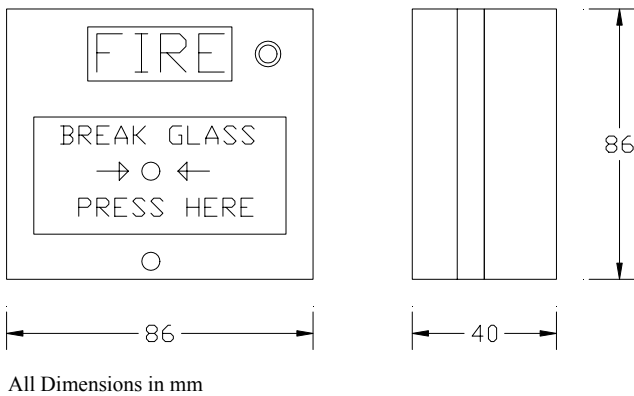
## TECHNICAL INFORMATION

Conforms to appropriate sections of BS5839 and EN-54  
Low current technology with a battery life of 10 years

Powered by two independent AA Lithium cells  
Transmitter Frequency 173.2250  
Short transmission time  
Complex Error Checking  
Internal monitoring and fault diagnostic reporting  
Internal event and status monitoring memory  
Electronic serial number  
Adjustable verification interval  
Buzzer to indicate transmitting alarm condition  
LED to indicate occurrence of fault or alarm



## GENERAL INFORMATION – EDA-C300



Weight (Including Base)	200g (approx.)
Dimensions (Including Base)	
Height	86mm
Width	86mm
Depth	40mm
Indications	High intensity clear LED Flashes RED in alarm, fault and test modes
Audible Warning	Sounds in alarm
Fixing Holes	2 x 4mm (No. 6 screws)
Finish	Red Call point (Colours Optional) Red Back Box

## GENERAL INFORMATION – EDA-C340

The weatherproof callpoint utilises the same electronic circuitry and batteries as the standard unit but is housed in an IP55 enclosure.

Weight (Including Base)	250g (approx)
Dimensions (Including Base)	
Height	120mm
Width	122mm
Depth	80mm
Fixing Holes	4x4mm (No 6 Screws)
Finish	Red



EDA-C340 - IP55 Weatherproof Callpoint

